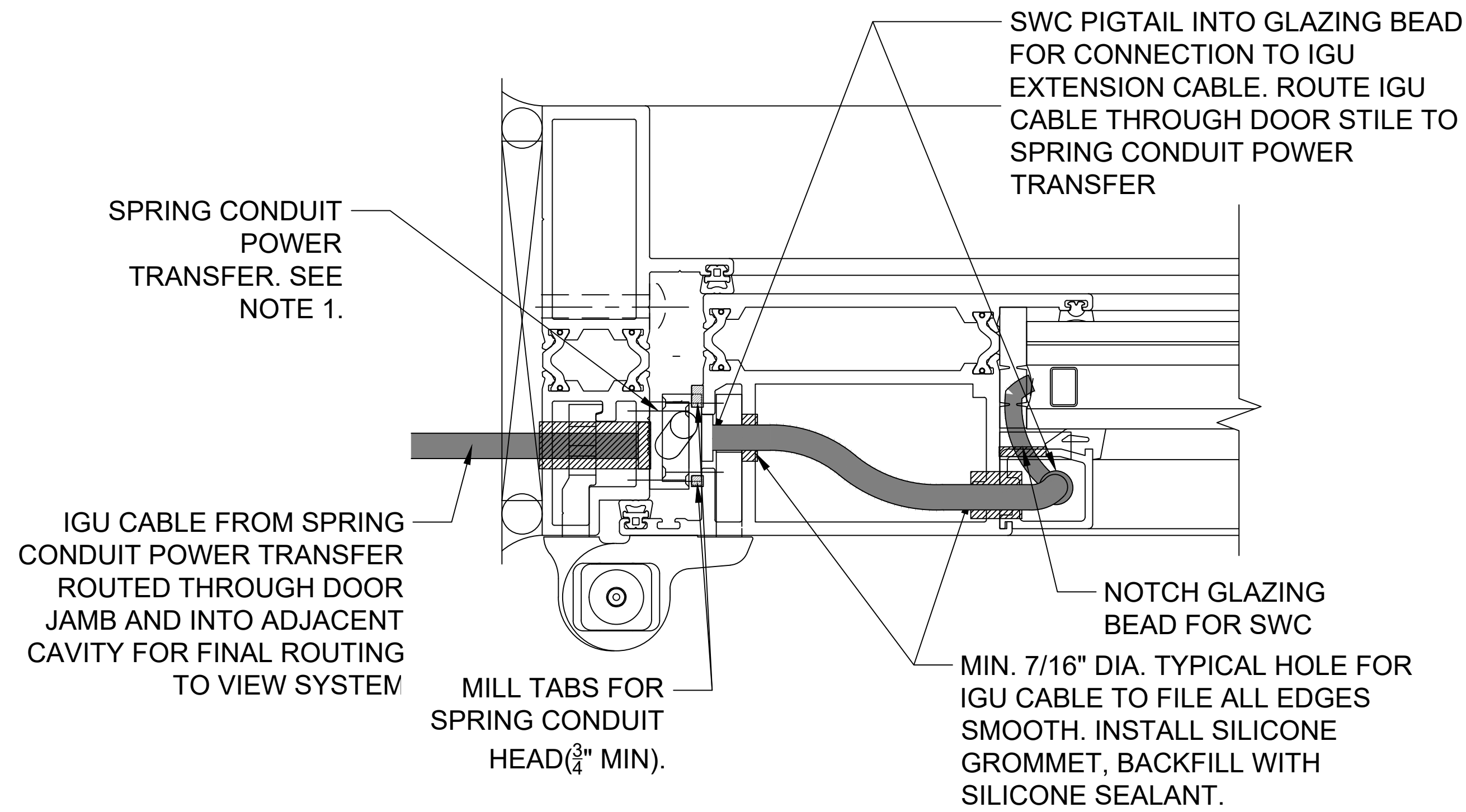
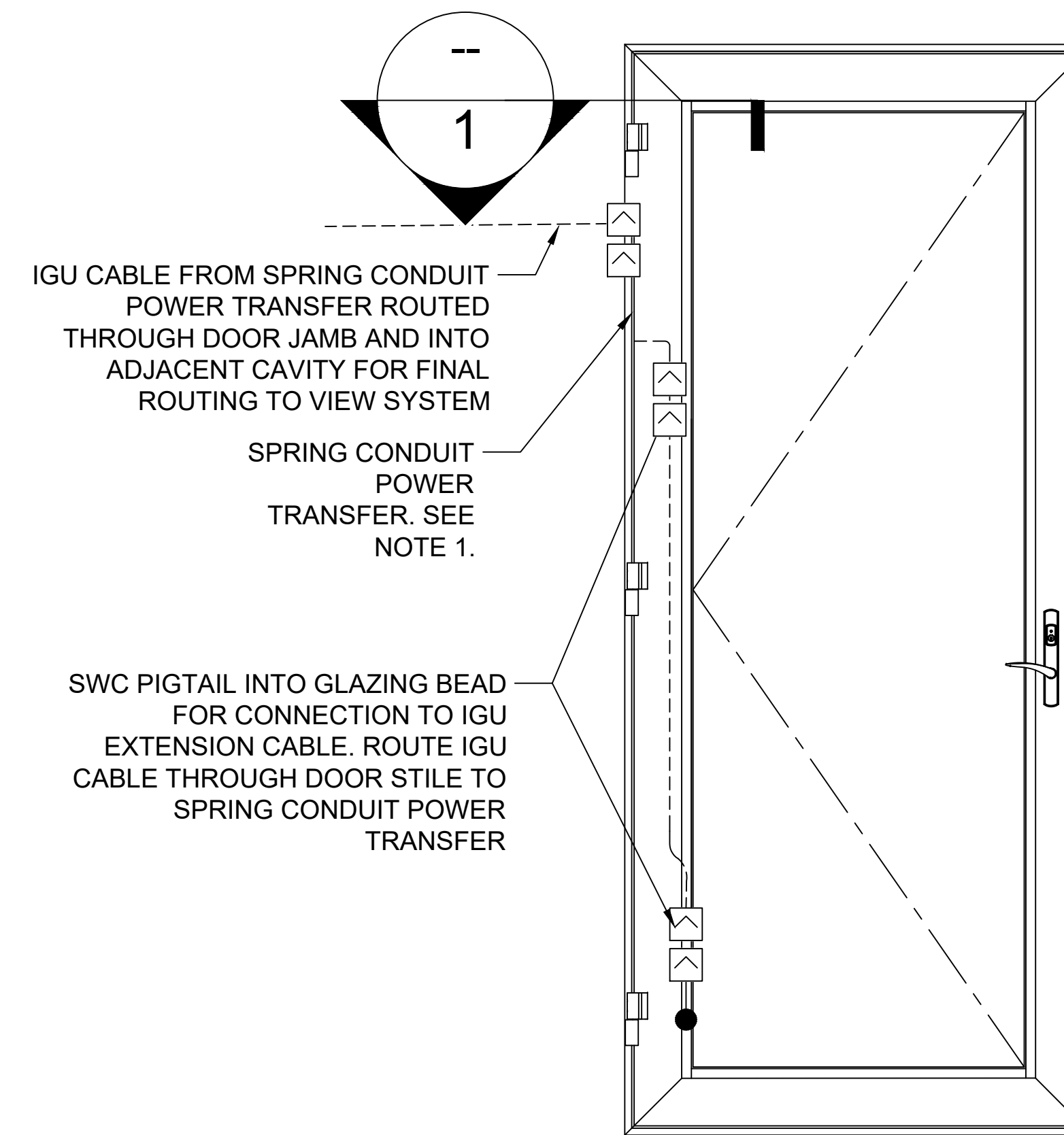


NOTE:  
 1. GLAZING CONTRACTOR SHALL PROVIDE FINAL DOOR OFFSET TO CONFIRM SPRING CONDUIT LENGTH REQUIRED.



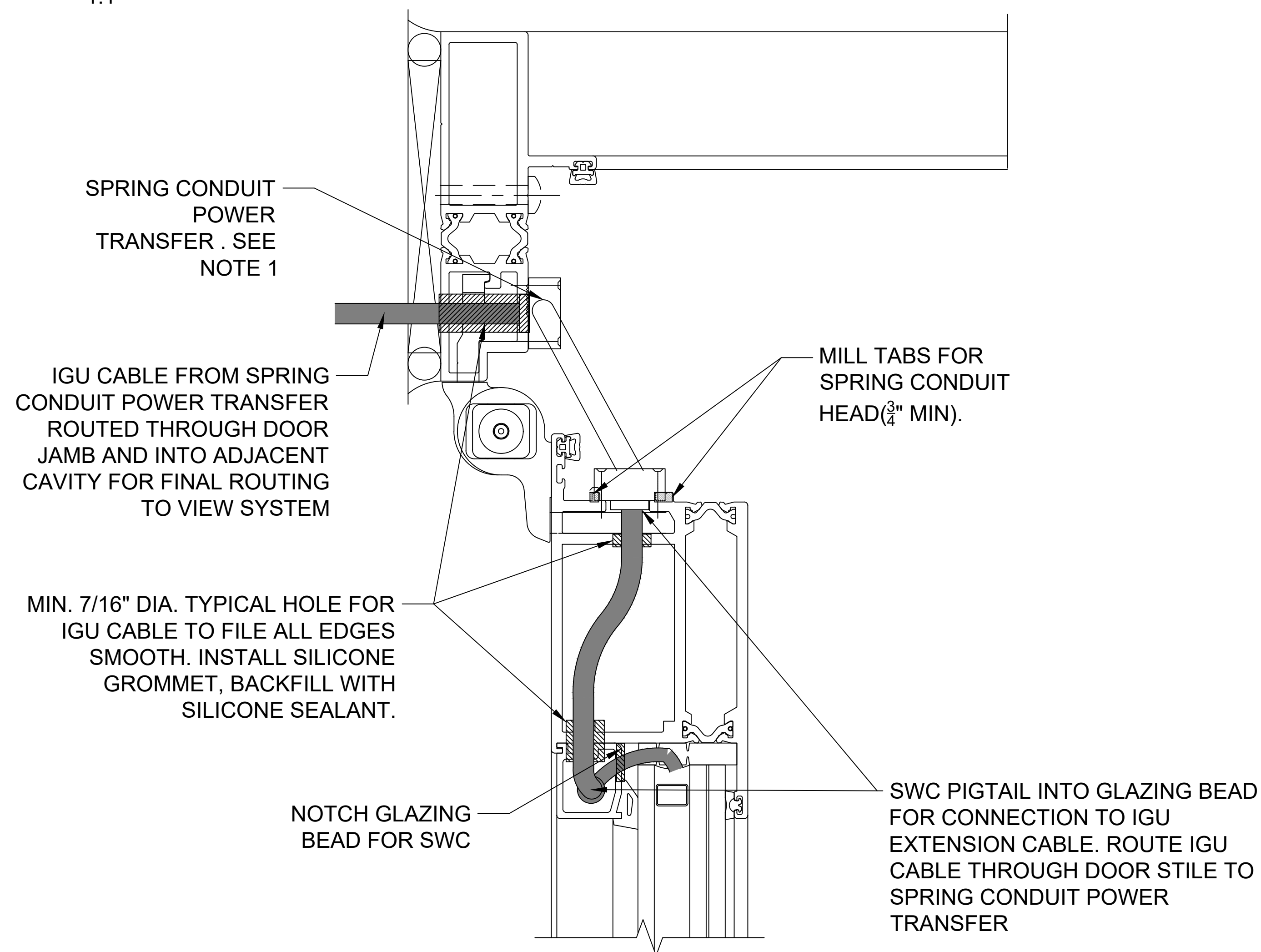
DETAIL 1 - HINGE SIDE JAMB - 2000T - CLOSED

1:1



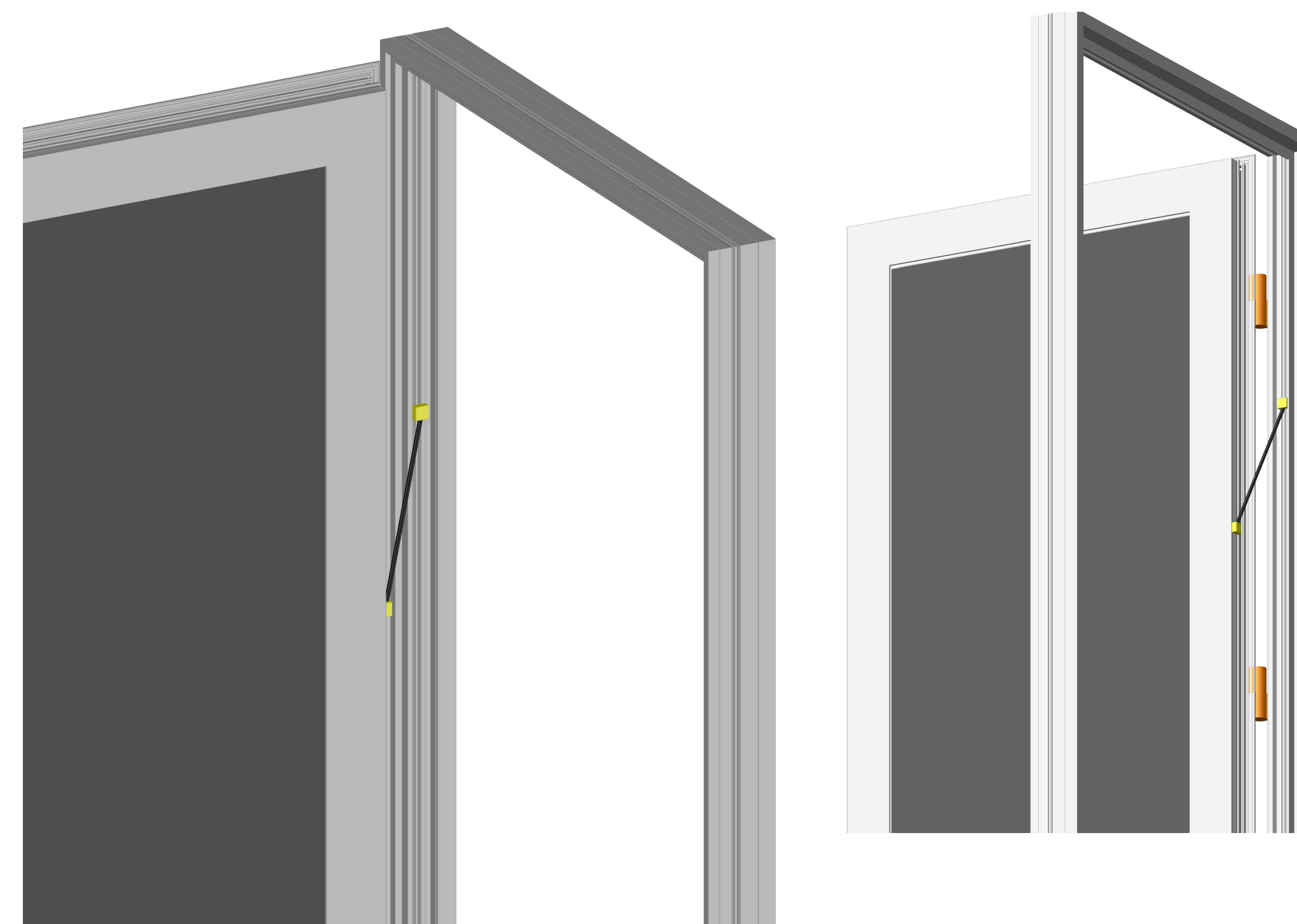
ELEVATION - 2000T

NTS



DETAIL 1 - HINGE SIDE JAMB - 2000T - OPEN

1:1



3DS VIEWS - SPRING CONDUIT - HINGE SIDE JAMB - 2000T - OPEN

REVISIONS

NO.	DESCRIPTION	DATE
01	PRELIMINARY	09-03-20

DATE ISSUED: 06/22/2020  
 REVIEWED BY: ## / ##  
 DRAWN BY: HK-KCS  
 DESIGNED BY: ##  
 VIEW PROJECT NUMBER | REVISION

© 2016 VIEW INC.

SHEET TITLE

**KAWNEER 2000T  
 OUT SWING  
 TERRACE DOOR  
 INTEGRATION**

SHEET NUMBER

**1-1**

VIEW INC. CONFIDENTIAL: THIS DOCUMENT AND THE INFORMATION CONTAINED IN IT ARE CONFIDENTIAL AND CANNOT BE COPIED OR DISCLOSED IN WHOLE OR IN PART WITHOUT THE EXPRESS WRITTEN CONSENT OF VIEW, INC.®